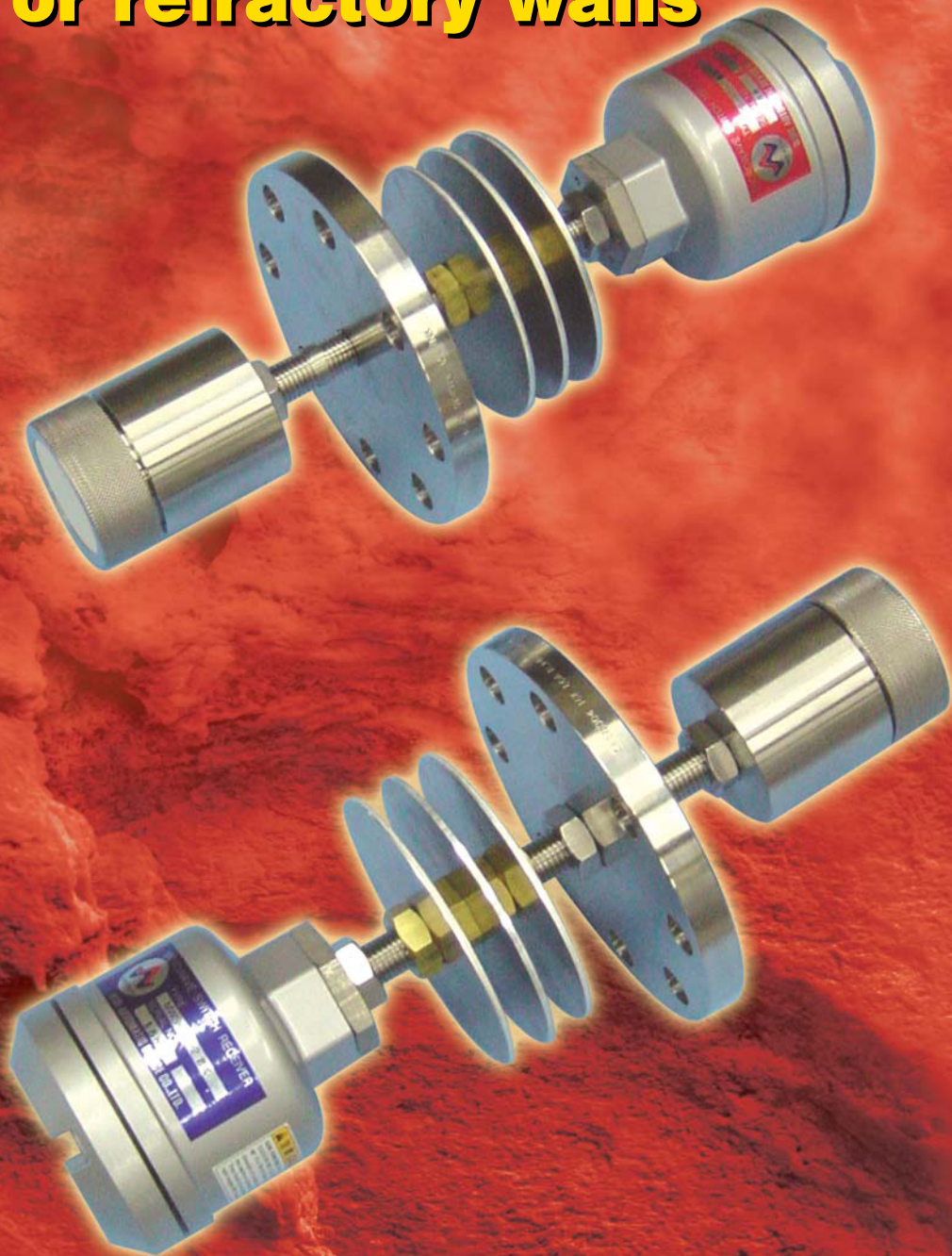




OPTIONAL HARDWARE EK TYPE SUPER HEAVY DUTY

**Excellent penetration of
ash or refractory walls**



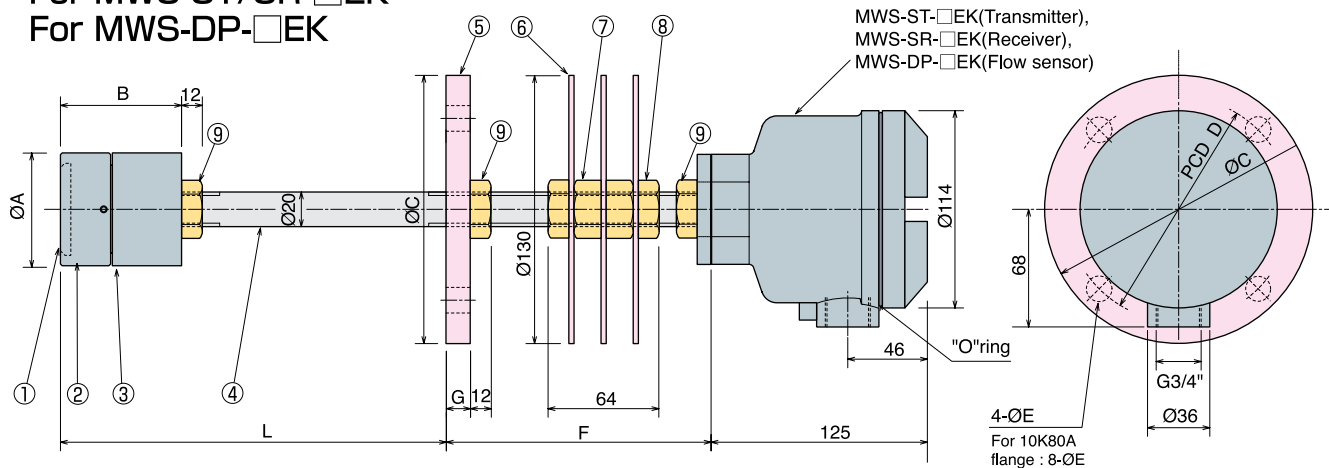
WIRE AUTOMATIC DEVICE CO., LTD.

Specifications

| | |
|---|---|
| Operating distance | Antenna size Ø50 : 40m, Ø65 : 90m, Ø75 : 180m |
| Operating ambient temperature for antenna | Ceramic : -50°C ~ +600°C Teflon : -20°C ~ +150°C |
| Operating ambient temperature for transmitter or receiver | -10°C ~ +55°C |

Dimensions

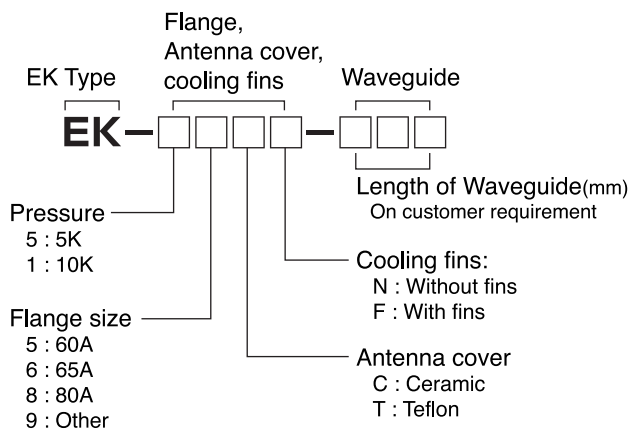
For MWS-ST-□EK
For MWS-DP-□EK



Dimensions(mm)

| Flange | A | B | C | D | E | F | G | L |
|--------|----|----|-----|-----|----|-----------------------------|----|-------------------------|
| 5K50A | 50 | 45 | 130 | 105 | 15 | Without cooling fins: 55 | 14 | On customer requirement |
| 5K65A | 65 | 70 | 155 | 130 | 15 | | 14 | |
| 5K80A | 75 | 95 | 180 | 145 | 19 | | 14 | |
| 10K50A | 50 | 45 | 155 | 120 | 19 | With cooling fins: 145 | 16 | |
| 10K65A | 65 | 70 | 175 | 140 | 19 | | 18 | |
| 10K80A | 75 | 95 | 185 | 150 | 19 | | 18 | |

Type



Material

| No. | Description | Material |
|-----|---------------|-------------------|
| 1 | Antenna cover | Ceramic or Teflon |
| 2 | Antenna cap | SUS304 |
| 3 | Antenna | SUS304 |
| 4 | Waveguide | SUS304 |
| 5 | Flange | SUS304 |
| 6 | Cooling fins | Al 3t |
| 7 | Nut | M20(BsBm) t=15.5 |
| 8 | Nut | M20(BsBm) t=12 |
| 9 | Nut | M20(SUS304) t=12 |

This specification may be changed without notification.



HEAD OFFICE 1-9-27, Jokoji, Amagasaki-shi, Hyogo-ken 660-0811, Japan
TEL. +81-6-6482-3838 FAX. +81-6-6481-6321

TOKYO BRANCH 202 Shibuya-homes, 2-1, Udagawa-cho, Shibuya-ku, Tokyo
150-0042, Japan
TEL. +81-3-3770-5519 FAX. +81-3-3770-5520
URL : <http://www.wadeco.co.jp>